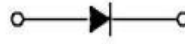


### SMD SWITCHING DIODE

Parameter	Value	Unit
$V_R$	100	V
$I_F$	150	mA



SOD-123

#### Features

- Fast Switching Speed
- Surface Mount Package Ideally Suited for Automatic Insertion
- For General Purpose Switching Applications
- High Conductance

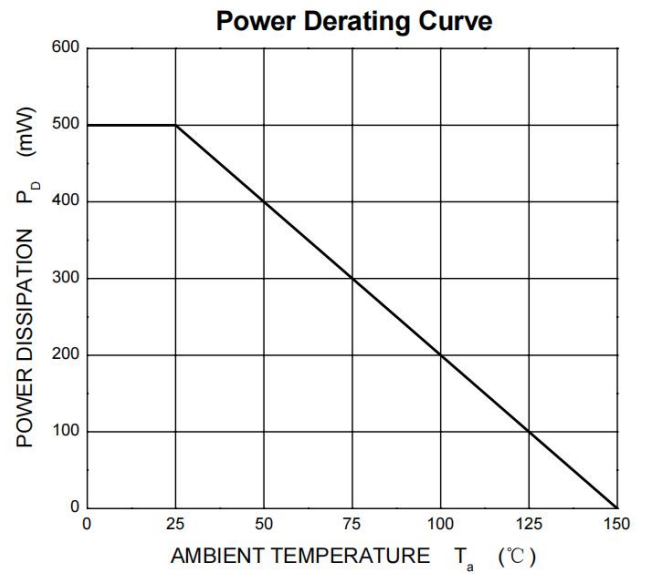
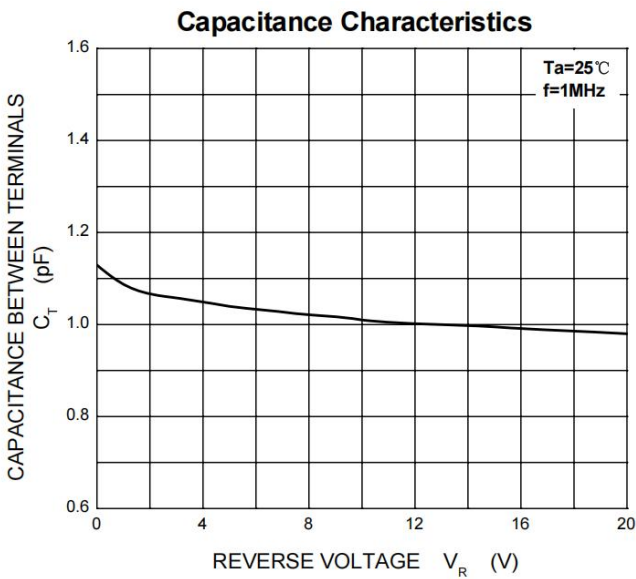
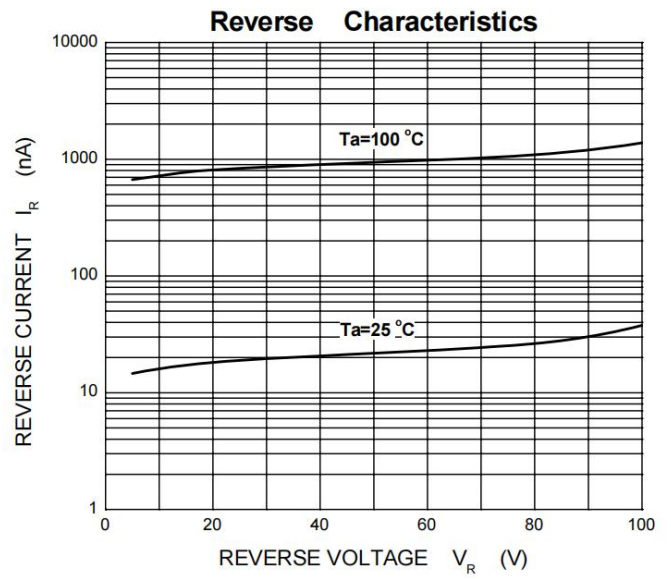
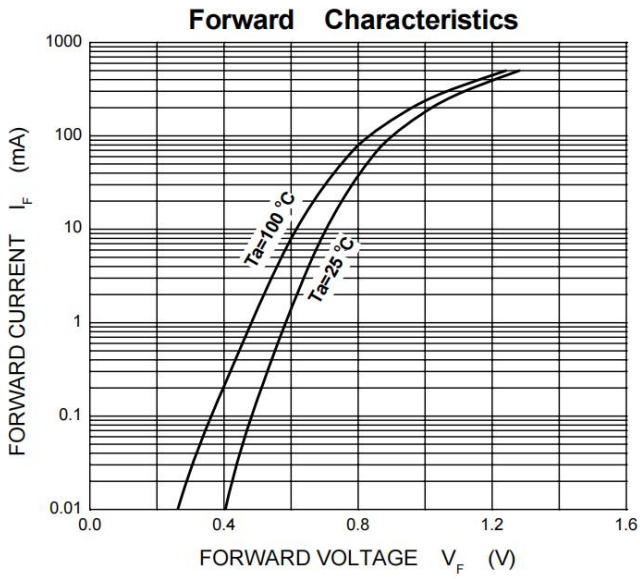
#### Absolute Maximum Ratings (Ta=25°C unless otherwise noted)

Parameter	Symbol	Value	Unit
Non-Repetitive Peak reverse voltage	$V_{RM}$	100	V
Peak Repetitive Peak reverse voltage Working Peak Reverse Voltage DC Blocking Voltage	$V_{RRM}$ $V_{RWM}$ $V_R$	100	V
RMS Reverse Voltage	$V_{R(RMS)}$	75	V
Forward Continuous Current	$I_{FM}$	300	mA
Average Rectified Output Current	$I_O$	150	mA
Peak forward surge current @=1.0μs @=1.0s	$I_{FSM}$	2.0 1.0	A
Power Dissipation	$P_D$	500	mW
Thermal Resistance from Junction to Ambient	$R_{\theta JA}$	250	°C/W
Junction temperature	$T_J$	150	°C
Storage temperature	$T_{STG}$	-65~+150	°C

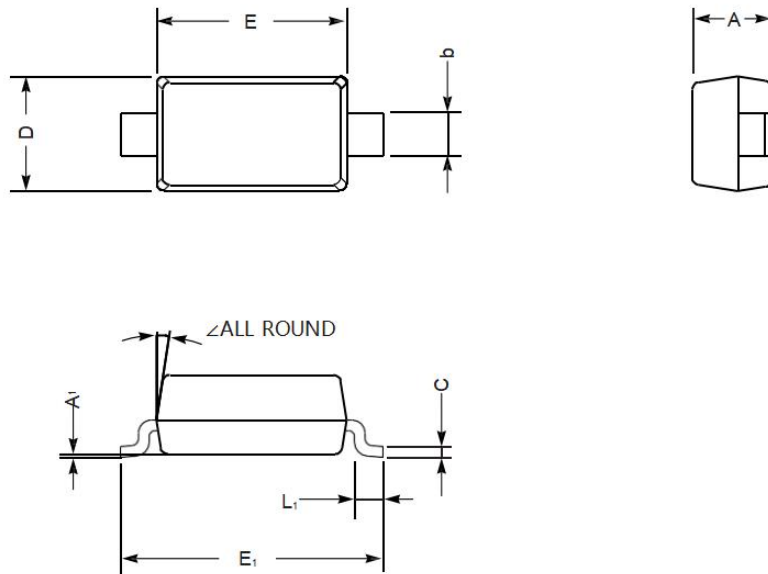
#### Electrical Characteristics (Ta=25°C unless otherwise noted)

Parameter	Symbol	Conditions	Min.	Typ.	Max.	Unit
Forward voltage	$V_{F1}$	$I_F=1mA$			0.715	V
	$V_{F2}$	$I_F=10mA$			0.855	V
	$V_{F3}$	$I_F=50mA$			1.0	V
	$V_{F4}$	$I_F=150mA$			1.25	V
Reverse current	$I_{R1}$	$V_R=75V$			1	μA
	$I_{R2}$	$V_R=20V$			25	nA
Capacitance between terminals	$C_T$	$V_R=0V, f=1MHz$			2	pF
Reverse Recovery Time	$t_{rr}$				4	ns

**Typical Characteristics**



**Package Outlines**



UNI T		A	C	D	E	E1	L1	b	A1	∠
mm	max	1.3	0.22	1.8	2.8	3.9	0.45	0.7	0.2	9°
	min	0.9	0.09	1.5	2.5	3.6	0.25	0.5		
mil	max	51	8.7	71	110	154	18	28	8	
	min	35	3.5	59	98	142	10	20		

**\*Important Usage Information and Disclaimer**

The specifications of Zhuhai Hypersemi Co., Ltd. products are not guarantees of product characteristics. They reflect typical performance expected in standard applications, which may vary with specific uses. Users must conduct prior testing for their applications and make necessary adjustments.

Users are responsible for the safety of applications utilizing our products and must implement adequate safety measures to prevent physical injury, fire, or other risks in case of product failure. It is the user's duty to ensure that application designs comply with all applicable laws and standards. Our products must not be used in any applications where a product failure could reasonably result in personal injury, unless specifically authorized in a signed document by Zhuhai Hypersemi Co., Ltd.

No representations or warranties are made regarding the accuracy or completeness of this information, including any claims of non-infringement of third-party intellectual property rights. Zhuhai Hypersemi Co., Ltd. assumes no liability for any applications or uses of its products and does not grant any licenses to its intellectual property rights or those of others. We also make no claims regarding non-infringement of third-party intellectual property rights that may arise from applications.

Due to technical requirements, our products may contain hazardous substances. For details, please contact your nearest sales office. This document replaces all previous information and may be updated. We reserve the right to make changes.